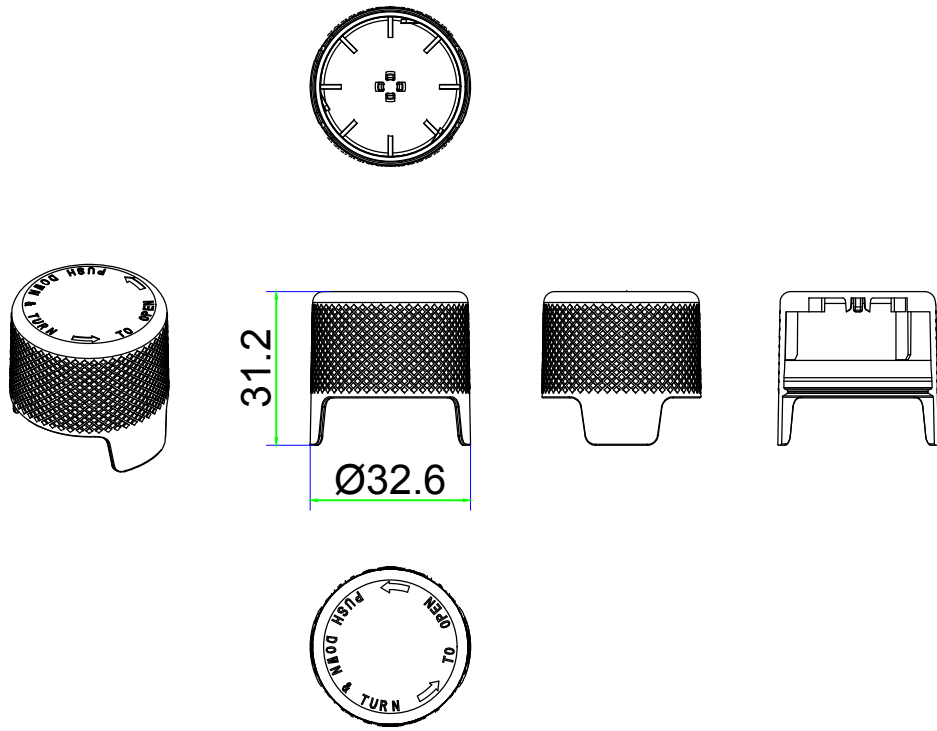


← Material: PP

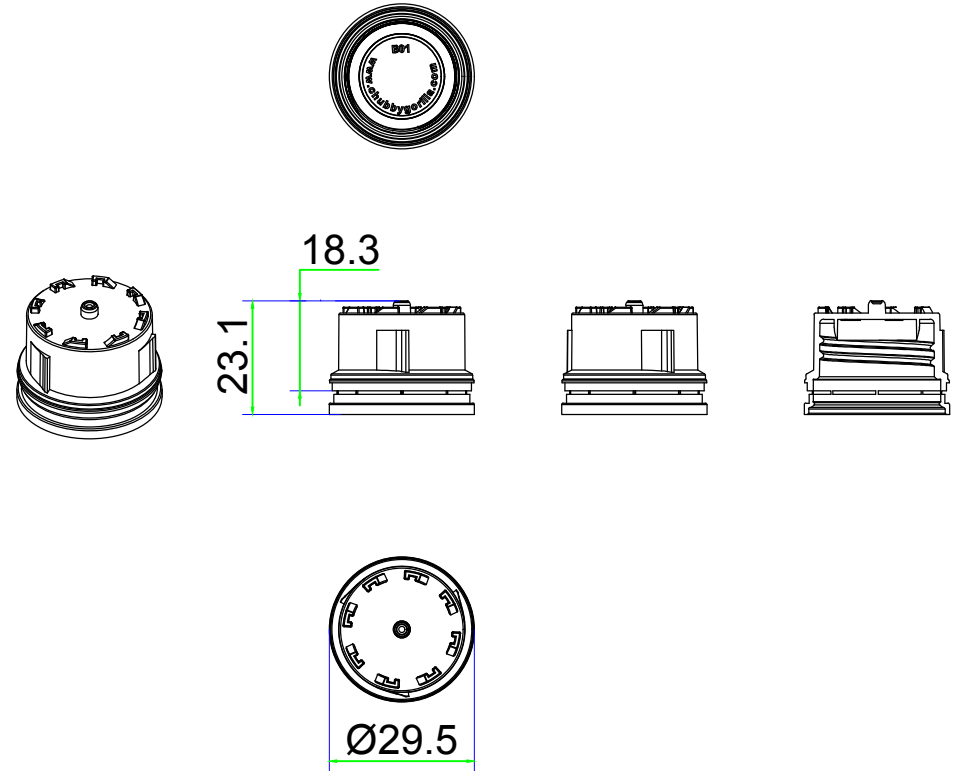
← Material: PE

← Material: PET

Notes:
1.All dimensions = mm
2.Dimensions=averages
3.Finish size=T24



Outer Closure



Inner Closure
Page 2 of 3

CGAB1-60ML-XXXX
Drawing CG-AB-060
Revision date:18-Jun-2022

