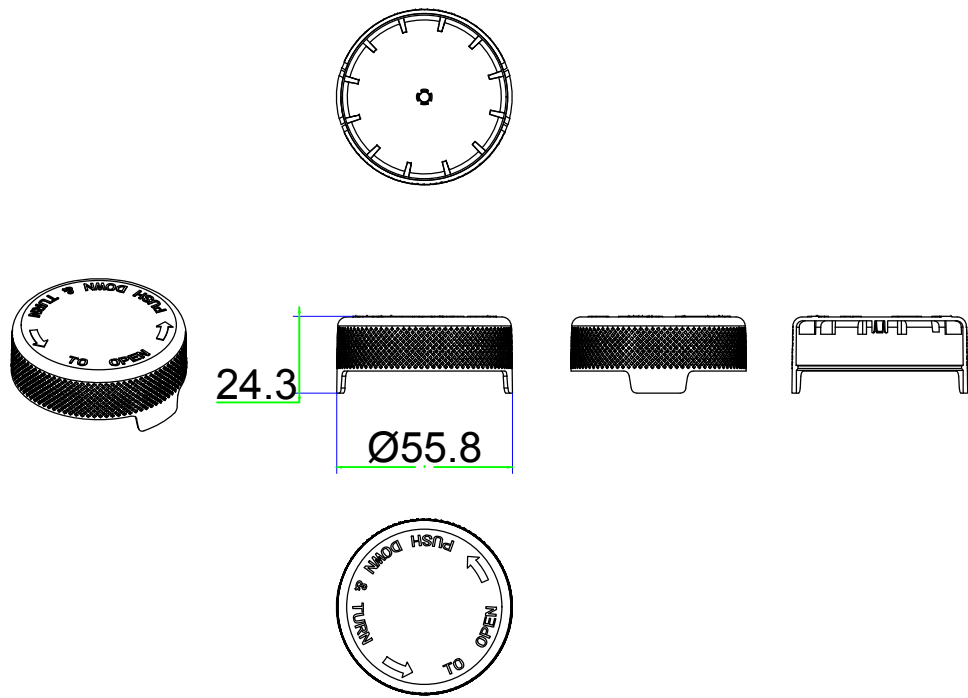
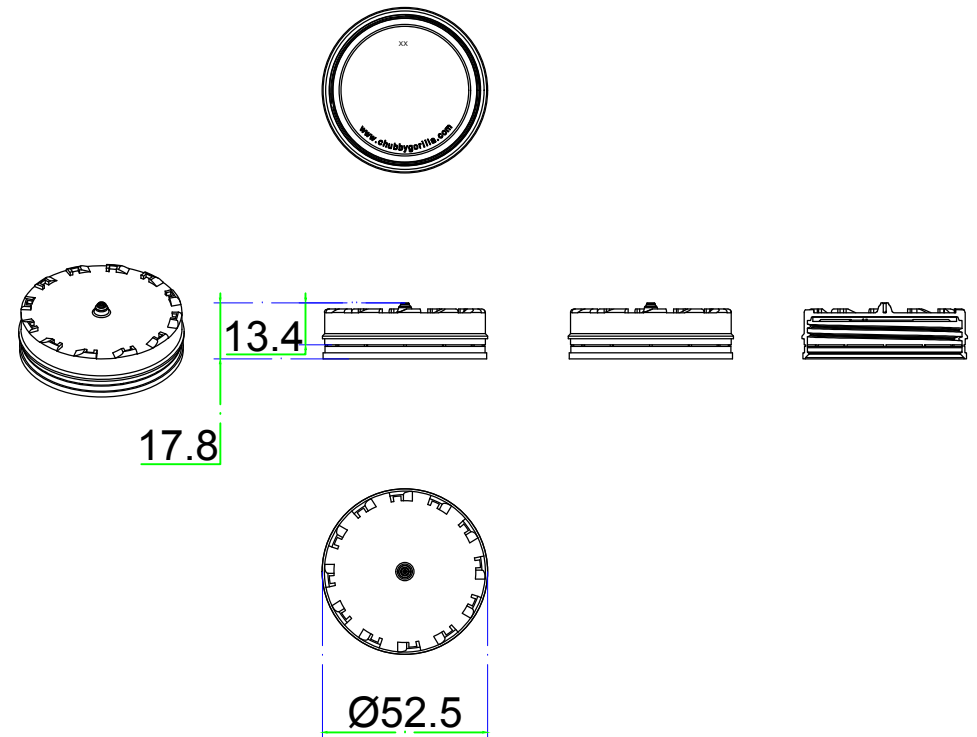


Notes:
1.All dimensions = mm
2.Dimensions=averages
3.Finish size=T50



Outer Closure



17.8

Inner Closure
Page 2 of 3

