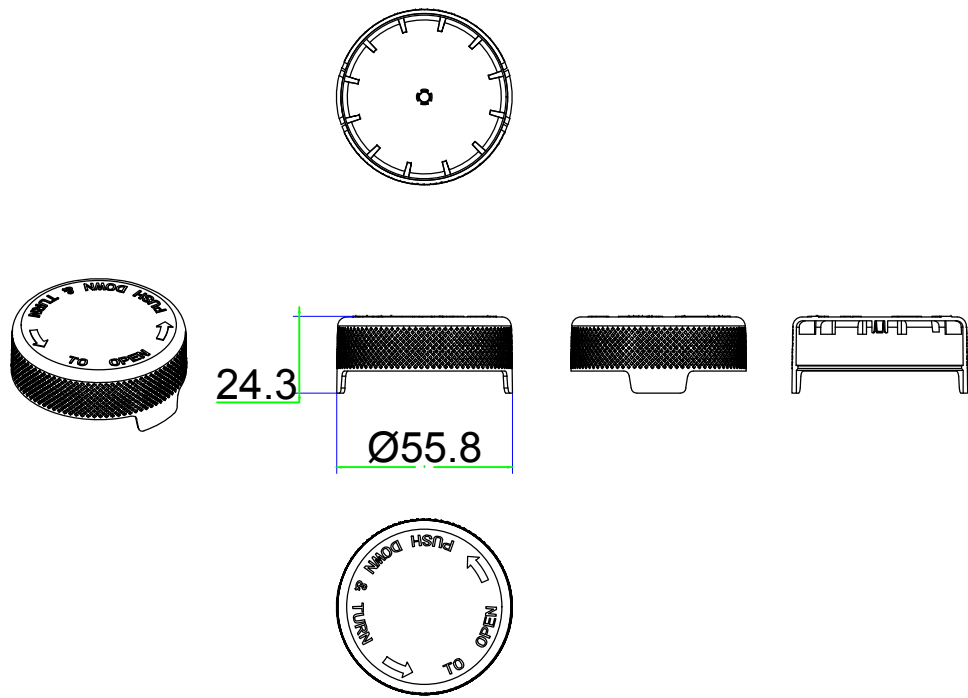
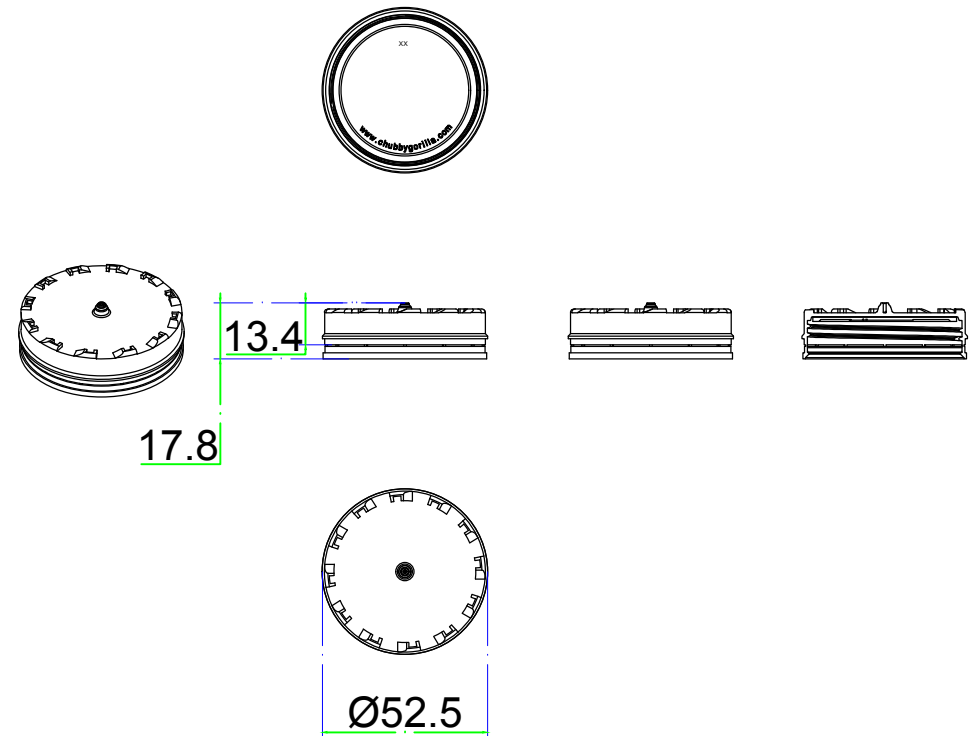


Notes:
1.All dimensions = mm
2.Dimensions=averages
3.Finish size=T50



Outer Closure



Inner Closure
Page 2 of 3

CGAC1-8OZ-XXXX
Drawing CG-AC-240
Revision date:19-May-2022

