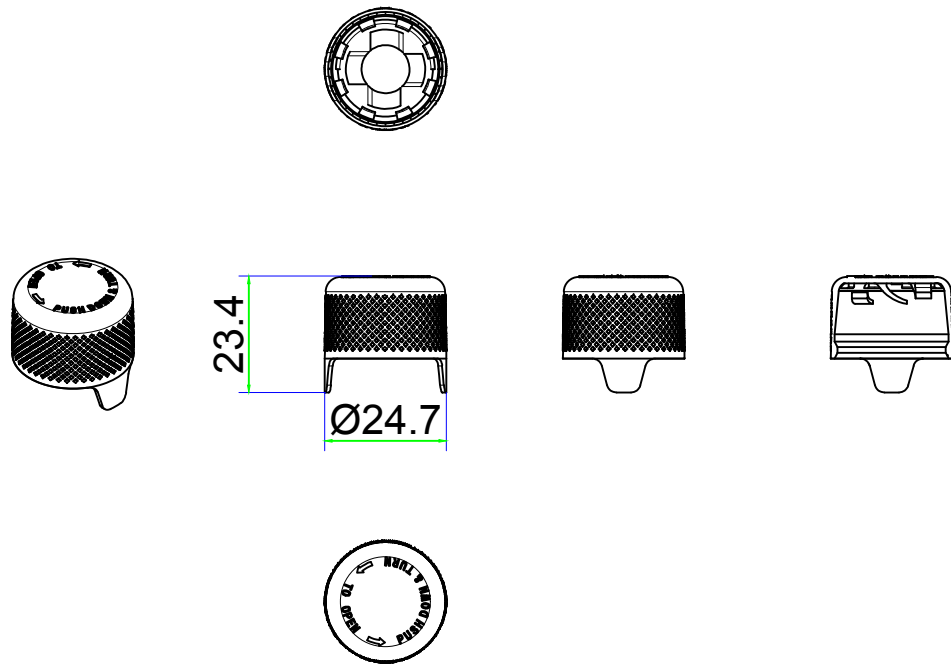
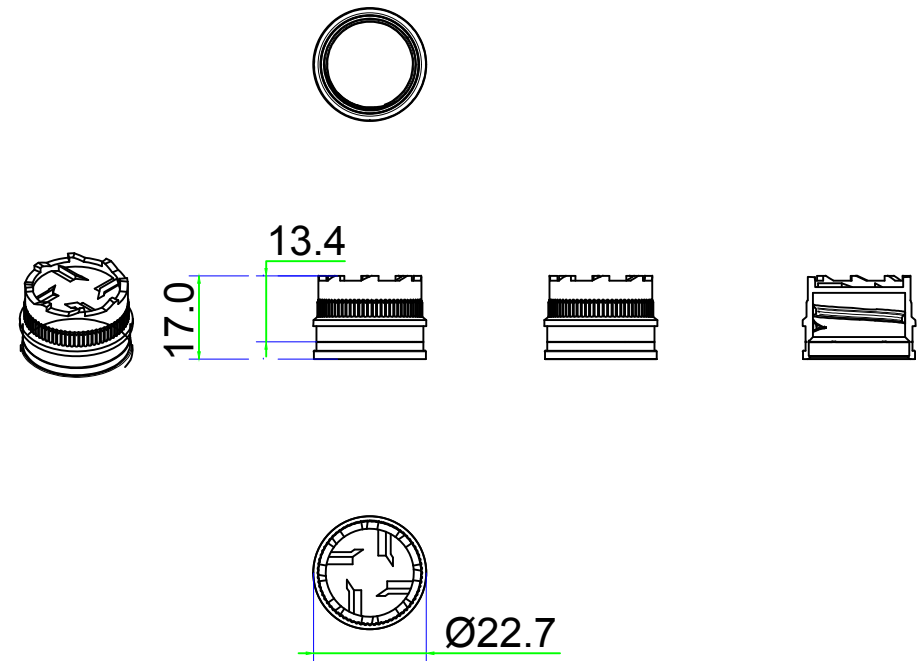


Notes:
1.All dimensions = mm
2.Dimensions=averages
3.Finish size=T18

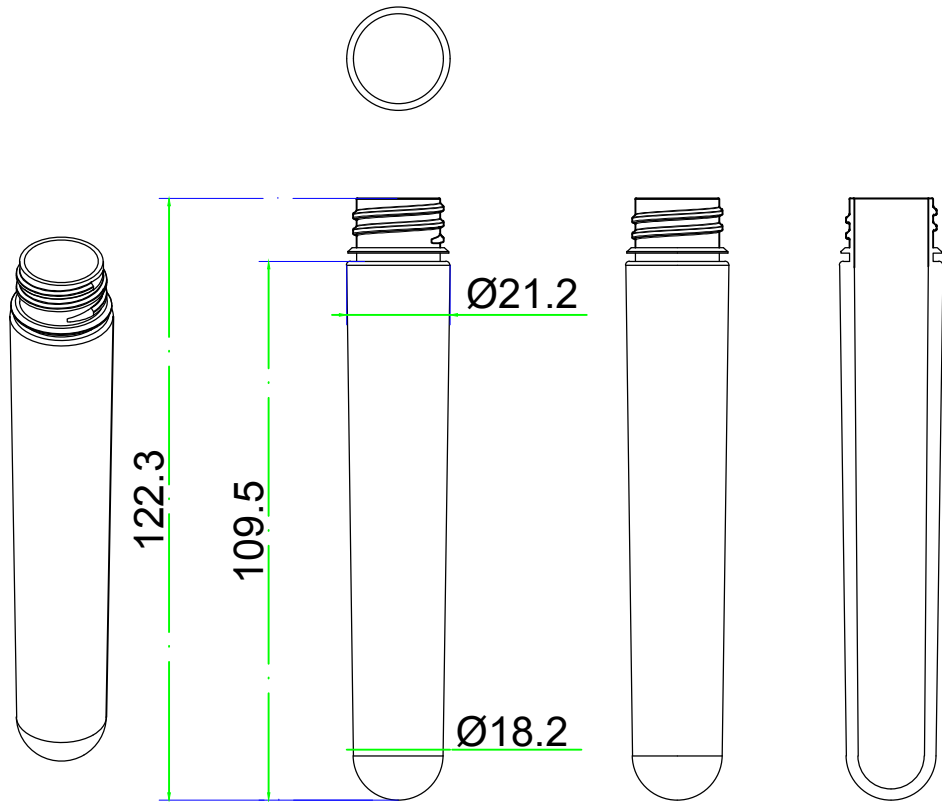


Outer Closure

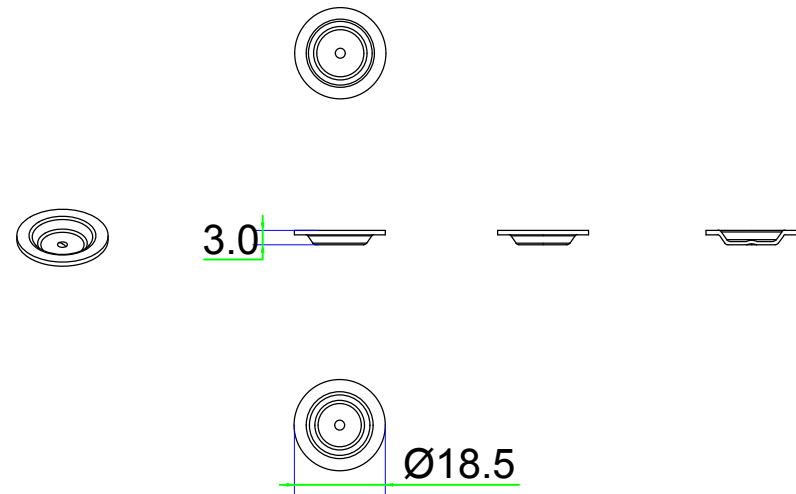


$\text{Ø}22.7$

Inner Closure
Page 2 of 3



Container



Inner-Seal
Page 3 of 3